

4

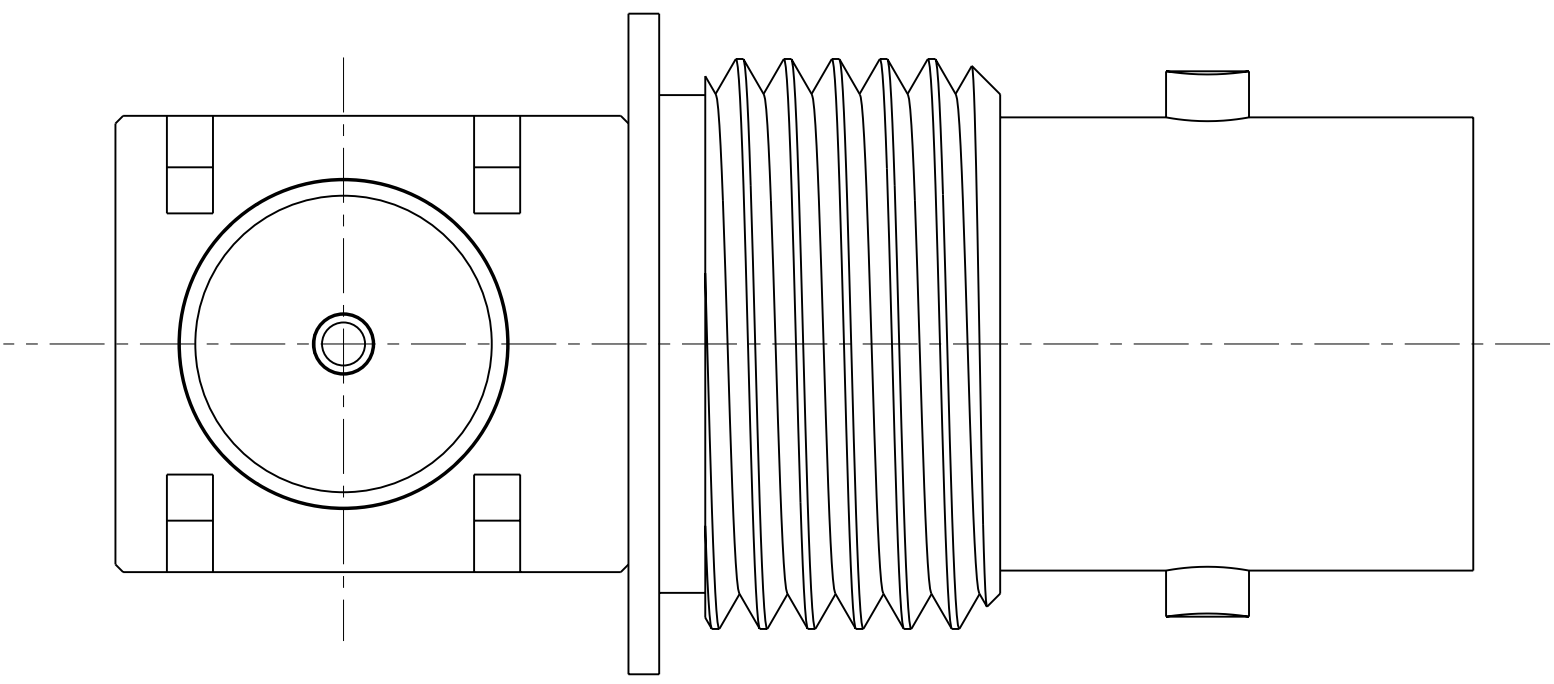
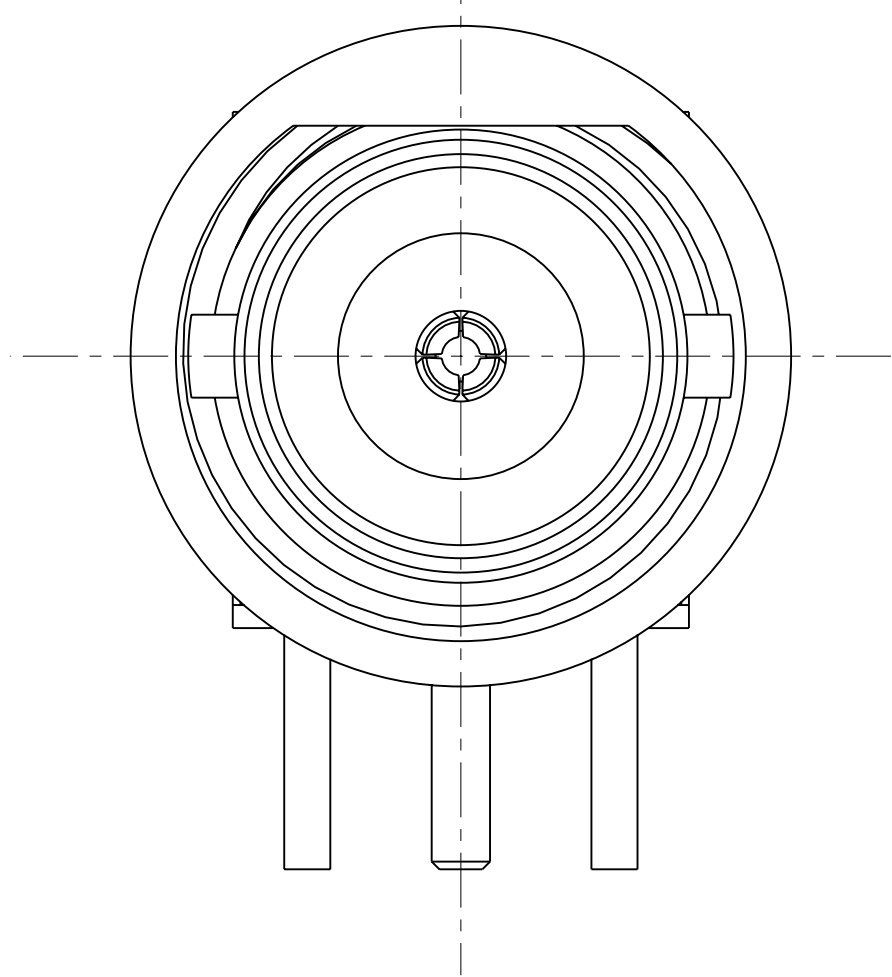
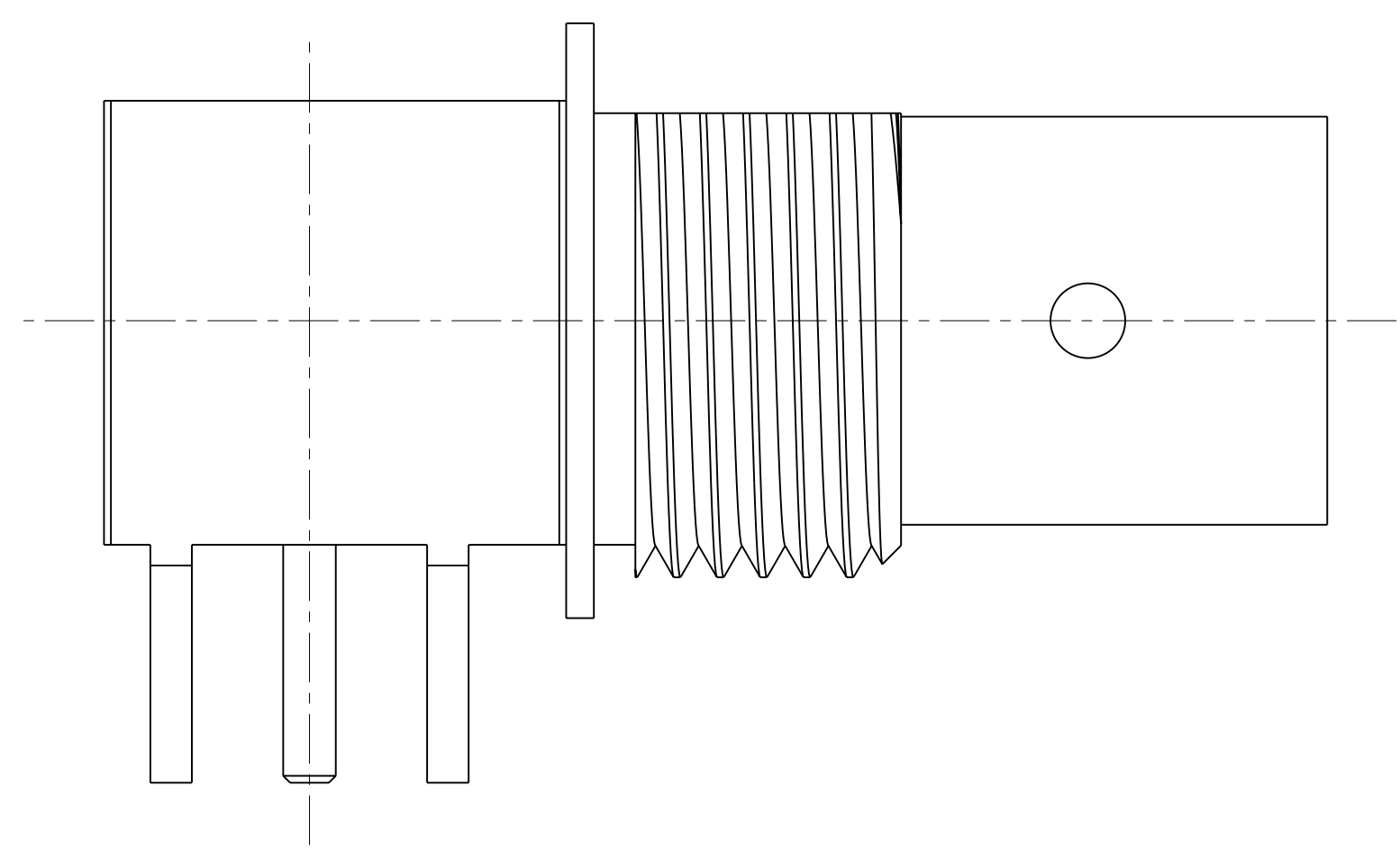
3

2

1

THIS DRAWING IS UNPUBLISHED. RELEASED FOR PUBLICATION 20
 © COPYRIGHT 20 BY TYCO ELECTRONICS CORPORATION. ALL RIGHTS RESERVED.

LOC	DIST	REVISIONS			
P	LTR	DESCRIPTION	DATE	DWN	APVD
AJ	16	D	REVISED PER EC OS14-0097-05	10MAY05	BM KW



⚠ P/N 1274584-1 INCLUDES CONNECTOR P/N 1274629-1 (SHOWN ABOVE), JAM NUT P/N 2-330249-2 AND LOCKWASHER P/N 1-329492-1 (NOT SHOWN) PACKAGED SEPERATELY

⚠ 1274584-1
PART NUMBER

<small>THIS DRAWING IS A CONTROLLED DOCUMENT FOR TYCO ELECTRONICS CORPORATION IT IS SUBJECT TO CHANGE AND THE CONTROLLING ENGINEERING ORGANIZATION SHOULD BE CONTACTED FOR THE LATEST REVISION.</small>		DWN K. WEIDNER 30 JUL 2003 CHK G. MICHAEL 08 JAN 2004 APVD K. WEIDNER 08 JAN 2004	tyco Electronics Tyco Electronics Harrisburg, PA 17105-3608
DIMENSIONS: INCHES [mm]	TOLERANCES UNLESS OTHERWISE SPECIFIED: 0 PLC ± 1 PLC ± 2 PLC ± 3 PLC ±.005 [.13] 4 PLC ± ANGLES ±2° FINISH	PRODUCT SPEC 108-2159 APPLICATION SPEC - WEIGHT - CUSTOMER DRAWING	NAME JACK KIT, R/A, BULKHEAD, PCB, MINI BNC W/HARDWARE SIZE A2 CAGE CODE 00779 DRAWING NO C=1274584 RESTRICTED TO -
MATERIAL		SCALE 8:1 SHEET 1 OF 1 REV D	